

## Clevertest and Clevertest Plus



The Clevertronics Clever-test units (CLIFE-PRO-SPOT-CT) can be programmed to perform 90 minute discharge tests at 6-month intervals. A manual test is initiated by pressing the test switch 3 times within a 5s period (immediate discharge test). A 24 hour delayed test (to allow batteries to fully charge before a test) can be initiated by pressing the test switch and hold for 10 seconds (i.e., until LED Test Switch indicator flashes rapidly). Refer Clever-test Operation Guide for more information. Once the test has been completed, maintenance personnel then view the Status Indicator of each fitting to determine a pass or failure:

<b>SOLID GREEN</b> (not flashing)	NORMAL – The luminaire is in a normal state charging and awaiting next discharge test.
<b>SLOW YELLOW FLASH</b> (2s Yellow, 2s Off)	TESTING – The luminaire is currently performing a test.
<b>VERY SLOW YELLOW &amp; GREEN</b> (4s Yellow, 1s Green)	RECENTLY PASSED – The luminaire has previously tested and passed. This indication remains for 5 days after the completion of the test and then changes to SOLID GREEN to indicate a normal state.
<b>FAST YELLOW &amp; GREEN FLASH</b> (0.5s Yellow, 0.5s Green)	FAILED LAST TEST – The luminaire has previously tested and failed to remain illuminated for the required duration. This indication will remain until the required maintenance work has been completed and the luminaire passes a subsequent discharge test.

## Zoneworks and DATA Monitored Options

CLIFE PROs with part numbers CLIFE-PRO-SPOT-ZW, CLIFE-PRO-SPOT-DATA are fitted with Zoneworks communications modules (nodes). These fittings are monitored using either Powerline Carrier Technology that utilises the power cable to provide data communication or a dedicated data cable to/from data routers installed on a dedicated data trunk connected to a central Server (can also be connected via Ethernet/Internet/Fibre). Zoneworks software on the server is used to monitor, coordinate testing and collate test data from each Lifelight. Zoneworks CLIFEs can be commissioned by a single push of the test switch, or scanning of the supplied barcode. The LED Test Switch indicator provides a multifunction indication of the status of the Lifelight during testing and normal operation:

State	LED Operation
Commissioned	LED on Solid (Green)
Un-commissioned	LED flashes at 0.5Hz (0.5s Green, 0.5s Yellow)
Emergency Light Test In Progress	LED flashes at 3s On (Yellow) & 0.5s Off

In the case of the DATA version a 2-way “figure 8” cable and terminal block facilitates the connection to the DATA network via a multi-drop bus (daisy chain connection). For further information of installation of a Zoneworks LW system, please refer to the Zoneworks Users Guide and Commissioning Guide (incl. DATA version)

## DALI EM Option

CLIFE PROs with part number CLIFE-PRO-SPOT-DALI are fitted with DALI modules (nodes) that facilitate connection and integration to 3<sup>rd</sup> Party Lighting Control Systems. Before installing the CLIFE-PRO-SPOT-DALI, please confirm that the Lighting Control System has the capability to monitor DALI Emergency Luminaires. The CLIFE-PRO-SPOT-DALI will be addressed and configured into the control system by the Lighting Control System Commissioning Technicians and not Clevertronics.

State	LED Operation
Commissioned/ Un-commissioned	LED on Solid (Green)
Emergency Light Test in progress	LED flashes at 1s On (Yellow) & 1s Off
“IDENTIFY COMMAND”	Fitting goes into emergency mode for 10 seconds

A 2-way “figure 8” cable and terminal block facilitates the connection to the DALI network OR a 5/6way “structured wiring system” lead and plug facilitating the power and DALI connection. DALI connections are marked as Da Da.



# LP™ LIFELIGHT PRO Surface Mount Spotlight Emergency Installation & Maintenance Instruction Leaflet



**Victoria (Head Office & Manufacturing)**  
Website: [www.clevertronics.com.au](http://www.clevertronics.com.au)  
Email: [info@clevertronics.com.au](mailto:info@clevertronics.com.au)  
Phone: +61 3 9559 2700  
Fax: +61 3 9559 2799

**New South Wales**  
Phone: +61 2 8805 6400  
Fax: +61 2 8805 6444

**Queensland**  
Phone: +61 7 3442 9700  
Fax: +61 7 3442 9777

**South Australia/Northern Territory**  
Phone: +61 8 8301 8800  
Fax: +61 8 8351 8286

**Western Australia**  
Phone: +61 8 9248 3720  
Fax: +61 8 9248 3725

**New Zealand**  
Phone: +64 800 548 448

**Designed in Australia to comply with the requirements of AS2293.3: 2005 and AS/NZS CISPR15: 2017**

NOTE: Standard product codes with this symbol are enabled with Clevertest Plus capability. Please refer to the operation guide supplied with the product for details.

## Models:

CLIFE-PRO-SPOT, CLIFE-PRO-SPOT-DATA, CLIFE-PRO-SPOT-DALI, CLIFE-PRO-SPOT-ZW, CLIFE-PRO-SPOT-CT (Note: also applies to the four hour, -4HR, variants)  
240V, 50Hz

## Spare Parts:

1550230 Battery, 3.2 Volt 6400mAh Li-ion (Note: 2 battery packs used on the -4HR versions)  
1100869 Lifelight Pro Head Assembly, Ld:280mm,Rnd,LT,Gen 2  
CLIFE-PRO-CKIT Lifelight Pro, Control Only, LP Lithium

## Important:

It is illegal for anyone, except for a licensed electrician to install or maintain this product. Before installation, ensure that the electricity supply has been switched off and isolated. Installation must be carried out in accordance with the relevant Australian and International Standards.

## Installation:

This CLIFE-PRO-SPOT Surface Mount Non-maintained Spotlight Emergency Luminaire can be installed on any solid surface.

- Locate the installation position.
- Refer Images and Dimensions below for the Cut-out Hole and other dimensions.
- Pre-drill mounting and cable access holes.
- Route the LED cable from the head through the surface access hole.
- Mount the LED head using suitable fixings.
- Connect the LED cable to the control gear pack
- Ensure the Battery is connected.
- Apply power to the unit and test per instructions.

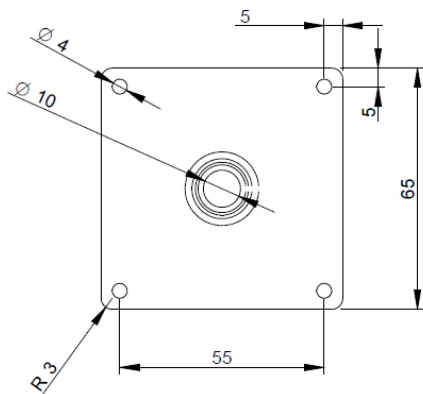
## Upgrading a CLIFE-PRO to Clever-test, Zoneworks (incl. DATA) or DALI EM

All LP Lifelight PRO Emergency Luminaires (CLIFE-PRO-SPOT) can be upgraded to Clever-test, Zoneworks, Zoneworks DATA or DALI EM.

When upgrading simply insert the relevant smart node board.

Unlike previous versions of product **DO NOT** remove or alter the configuration of jumpers. There is **NO** need to remove any jumper for the correct operation of the plugin node.

## Images and Dimensions: Mounting plate



## Testing:

When the CLIFE-PRO-SPOT unit is connected to the un-switched active, it must be allowed to charge the battery for at least 24 hours. The emergency lamp only illuminates during a power fail. Conduct the following tests:

- The emergency lamp must illuminate for at least 2 hours after disconnection from the mains. The results of all tests are required to be recorded in a service logbook, which is to be kept on-site at all times. If the unit fails to illuminate for the requisite time, remedial action must be taken to repair the situation and once completed, the unit must pass a subsequent test.
- Press and hold Test Button or switch Off Mains Supply, check that the emergency lamp is On.
- Release the Test Button or Switch On Mains Supply, check that the emergency lamp is Off (Non-maintained operation).

## Below are a list of common problems and their possible causes:

**Fault: The Green LED indicator is not illuminated.**

Check: A.C. is connected and is turned on.  
Battery is connected.  
Test Switch for damage.

**Fault: Lamp does not illuminate in emergency mode.**

Check: A.C. is connected.  
Lamp is correctly inserted.  
Battery is connected

**Fault: Lamp illuminates in emergency mode, but only stays on for a short period.**

Check: Battery has been allowed to charge for at least 24 hours.  
Battery for damage.

## Rated Emergency Lumen Output in accordance with AS2293.1 (refer to spacing tables for installation positions):

Refer to the Technical Label for classification information.

## Caution:

On many building sites, power circuits may be cut off in an uncontrolled and repetitive basis during construction. As a result, any Lifelight Units, on these circuits, will have their batteries discharged or "cycled". The Li-ion battery in the Lifelight has been selected to give excellent long life performance in a controlled IEC 60598-2-22 testing environment. Excessive battery cycling will reduce through-life performance and may lead to premature battery failure. Battery warranty claims, as a result of such abuse, are specifically EXCLUDED from Clevertronics warranty terms.

## Warranty:

The manufacturer warrants the goods against defects solely due to faulty parts or workmanship of the manufacturer for a period of 24 months from the date of purchase. This warranty covers the repair or replacement of the goods at the discretion of the manufacturer, upon the goods being returned to the nearest branch of the manufacturer at the clients cost. Any other warranty or guarantee, expressed or implied, to the extent permitted by law, is expressly excluded. The manufacturer shall not be liable for any costs or consequential losses that may arise through the use of any of the manufacturers' products. Installation or operation of this product in a manner NOT complying with this instruction leaflet will automatically void any and all warranties.